

dauidshaw

www.davidshaw.co.nz

bella

designed by *James Salmond*



bella

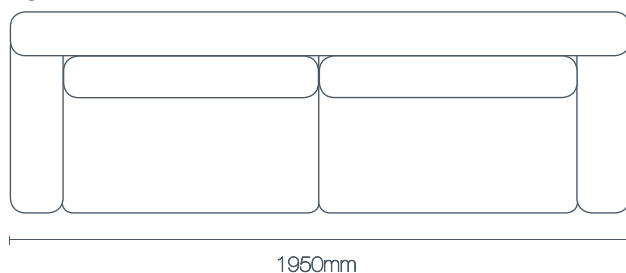
This classic style has been part of the James Salmond range for a number of years. Back and bolster cushions are a feather/fibre mix with the seat cushion being a feather wrap; the Bella comes standard with a wooden plinth.

measurements

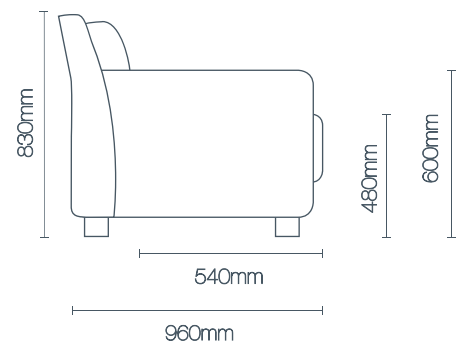
Chair:	L 950mm
2.0 Seater:	L 1950mm
2.5 Seater:	L 2150mm
3.0 Seater:	L 2450mm
	D 960mm
	D (seat) 540mm
	H (back) 830mm
	H (arm) 600mm
	H (seat) 480mm

dimensions:

Leg Information:
Plinth
Height: 130mm
Leg Colour: Wenge



Chair: 950mm/2.0 Seater: 1950mm/2.5 Seater: 2150mm/3.0 Seater: 2450mm



designed + made in new zealand