

## FLAT 308 table

### Design

Rodolfo Dordoni

### Description

Dining table for outdoor use

### Structure

Powder coated steel cleaned and treated with an electrolytic process of hard iron phosphatisation. This pre-painting guarantees a higher resistance to corrosion and it removes polluting substances. Its effect is reinforced with a following nanotechnology anticorrosive treatment and with an electrostatic powder painting with polyester base that gives more protection from scratches and also the final coloring to the product.

### Top

Luna stone or HPL.

**Luna stone:** sandstone with a typical grey/light blue color. All the stones used for Roda furniture are brushed with a natural effect and protected by an invisible treatment.

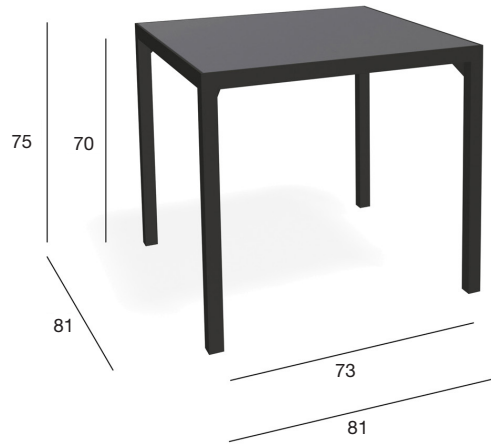
**HPL** (High pressure laminate) of a great quality with a characteristic black heart, very resistant to wear and tear, humidity, steam, UV, fungi, spores and mould. It is self-extinguishing and it is class 2 fire resistant; it does not contain chlorine or asbestos and it is certified by Fira Institute for coming in contact with foodstuff.

### Weight

Stone top: 58 kg; HPL top: 43 kg;

### Storage cover

Available



## Finishes



FLT308-01-21



**structure**  
metal\01 smoke  
**top**  
21 hpl grey



FLT308-02-21



**structure**  
metal\02 milk  
**top**  
21 hpl grey



FLT308-01-01



**structure**  
metal\01 smoke  
**top**  
01 luna stone



FLT308-02-01



**structure**  
metal\02 milk  
**top**  
01 luna stone

## Maintenance

### Steel

In case of exposition to weather conditions, it is recommended to wash regularly the product with mild tepid water. In case cleaning is needed, use a neutral soap (UNIVERSAL CLEANER by RODA) and warm or mild water.

Dry immediately to avoid stains and halos caused by water.

Eventual rusty formation must be treated with a rust stopper and eventually touched up with the paint stick in the same color of structure, supplied by RODA.

### Stones

All stones are protected by an anti-spot treatment, but it is recommended to clean with care the surface to maintain their original aspect in the course of time. In case of spots, it is necessary to clean them immediately with natural soap and absorbent cloth in order not to remove the protection treatment.

For a normal cleaning, use a soaked cloth with distilled water. Only in case of obstinate spots, use few drops of ammonia diluted with water. In any case, try it in a hidden part to verify its efficiency and its no-damaging effect. Do not use abrasive products, acid substances, chemical aggressive solvents.

### HPL

Maintenance and cleaning: use a water-soaked cloth and in case of persistent spots, use a neutral soap (UNIVERSAL CLEANER by RODA). Dry carefully. Do not use abrasive products, acid substances, chemical aggressive solvents.

## Similar products



LIGHT PIER 008 table



STEM 001 table



ROOT 001 table



PLAZA 065 table

## FLAT 315 table

### Design

Rodolfo Dordoni

### Description

Dining table for outdoor use

### Structure

Powder coated steel cleaned and treated with an electrolytic process of hard iron phosphatisation. This pre-painting guarantees a higher resistance to corrosion and it removes polluting substances. Its effect is reinforced with a following nanotechnology anticorrosive treatment and with an electrostatic powder painting with polyester base that gives more protection from scratches and also the final coloring to the product.

### Top

Luna stone+Absolute black inserts or HPL.

**Luna stone:** sandstone with a typical grey/light blue color.

**Absolute black:** granite stone with dark grey color in variable tones with inclusion of quartz which sometimes present scattered dots. The final clouring is obtained with a particular hot superficial treatment.

All the stones used for Roda furniture are brushed with a natural effect and protected by an invisible treatment.

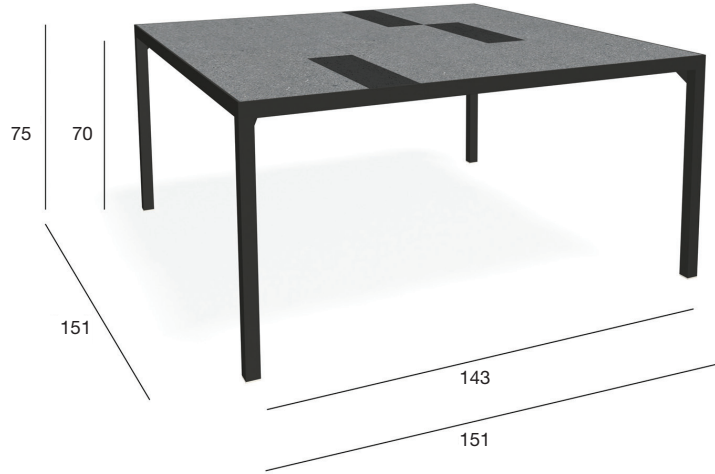
**HPL** (High pressure laminate) of a great quality with a characteristic black heart, very resistant to wear and tear, humidity, steam, UV, fungi, spores and mould. It is self-extinguishing and it is class 2 fire resistant; it does not contain chlorine or asbestos and it is certified by Fira Institute for coming in contact with foodstuff.

### Weight

157 kg

### Storage cover

Available



### Finishes



FLT315-01-01-11

FLT315-02-01-11



### structure

meta\01 smoke

### top

01 luna stone +  
11 absolute black inserts

### structure

meta\02 milk

### top

01 luna stone +  
11 absolute black inserts

### Maintenance

#### Steel

In case of exposition to weather conditions, it is recommended to wash regularly the product with mild tepid water. In case cleaning is needed, use a neutral soap (UNIVERSAL CLEANER by RODA) and warm or mild water.

Dry immediately to avoid stains and halos caused by water.

Eventual rusty formation must be treated with a rust stopper and eventually touched up with the paint stick in the same color of structure, supplied by RODA.

#### Stones

All stones are protected by an anti-spot treatment, but it is recommended to clean with care the surface to maintain their original aspect in the course of time. In case of spots, it is necessary to clean them immediately with natural soap and absorbent cloth in order not to remove the protection treatment.

For a normal cleaning, use a soaked cloth with distilled water. Only in case of obstinate spots, use few drops of ammonia diluted with water. In any case, try it in a hidden part to verify its efficiency and its no-damaging effect. Do not use abrasive products, acid substances, chemical aggressive solvents.

### Similar products



LIGHT PIER 015 table

PLAZA 066 table

FLAT 320 table

Design

Rodolfo Dordoni

Description

Dining table for outdoor use

Structure

Powder coated steel cleaned and treated with an electrolytic process of hard iron phosphatisation. This pre-painting guarantees a higher resistance to corrosion and it removes polluting substances. Its effect is reinforced with a following nanotechnology anticorrosive treatment and with an electrostatic powder painting with polyester base that gives more protection from scratches and also the final coloring to the product.

Top

Luna stone+Absolute black inserts or HPL.

**Luna stone:** sandstone with a typical grey/light blue color.

**Absolute black:** granite stone with dark grey color in variable tones with inclusion of quartz which sometimes present scattered dots. The final clouring is obtained with a particular hot superficial treatment.

All the stones used for Roda furniture are brushed with a natural effect and protected by an invisible treatment.

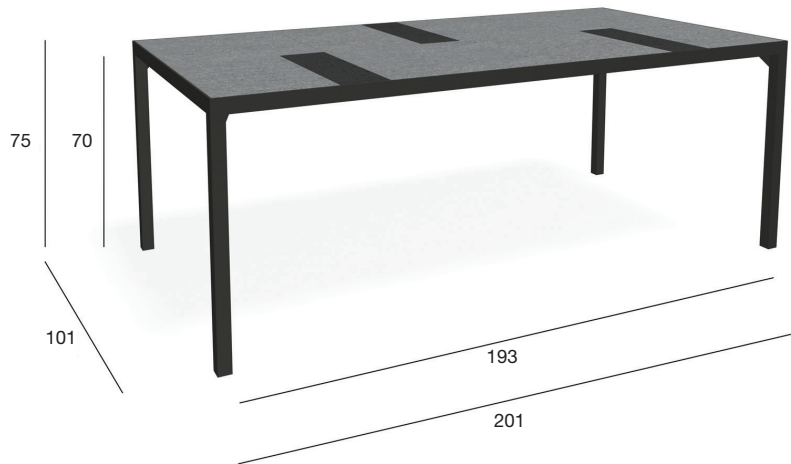
**HPL** (High pressure laminate) of a great quality with a characteristic black heart, very resistant to wear and tear, humidity, steam, UV, fungi, spores and mould. It is self-extinguishing and it is class 2 fire resistant; it does not contain chlorine or asbestos and it is certified by Fira Institute for coming in contact with foodstuff.

Weight

161 kg

Storage cover

Available



Finishes



FLT320-01-01-11

FLT320-02-01-11



structure

meta\01 smoke

top

01 luna stone +  
11 absolute black inserts

structure

meta\02 milk

top

01 luna stone +  
11 absolute black inserts

Maintenance

Steel

In case of exposition to weather conditions, it is recommended to wash regularly the product with mild tepid water. In case cleaning is needed, use a neutral soap (UNIVERSAL CLEANER by RODA) and warm or mild water.

Dry immediately to avoid stains and halos caused by water.

Eventual rusty formation must be treated with a rust stopper and eventually touched up with the paint stick in the same color of structure, supplied by RODA.

Stones

All stones are protected by an anti-spot treatment, but it is recommended to clean with care the surface to maintain their original aspect in the course of time. In case of spots, it is necessary to clean them immediately with natural soap and absorbent cloth in order not to remove the protection treatment.

For a normal cleaning, use a soaked cloth with distilled water. Only in case of obstinate spots, use few drops of ammonia diluted with water. In any case, try it in a hidden part to verify its efficiency and its no-damaging effect. Do not use abrasive products, acid substances, chemical aggressive solvents.

Similar products



LIGHT PIER 023 table

GRASSHOPPER 001 table

SPINNAKER 034 extendable table TORNADO 024 table