

davidshaw

www.davidshaw.co.nz

hampton herringbone cabinet

designed by *James Salmon*



pictured as cabinet

hampton herringbone cabinet

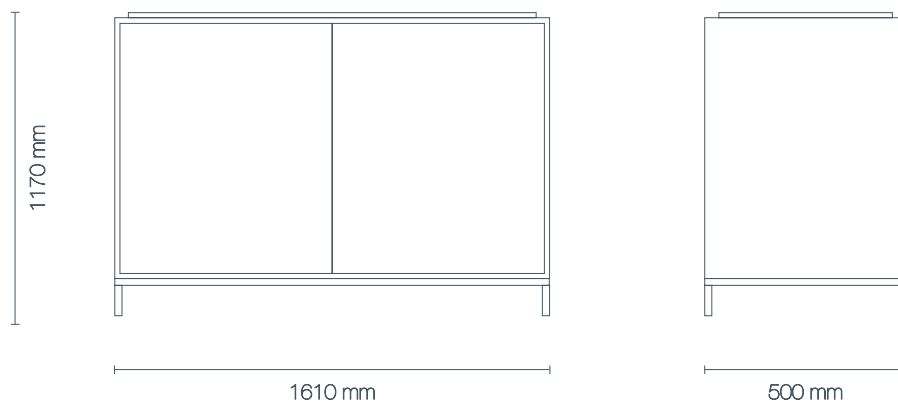
This cabinet is a true example of innovative design at it's finest. A feature piece for any room or area.

The inspiration behind it was The Hamptons, New York where many of the houses have got soft grey shingles often in patterns such as herringbone.

The detailed design of the metal brass base contradicts the top perfectly creating a harmony with its lacquered body. Mix the texture even more by adding a Marble top to finish this piece off perfectly.

measurements

L 1610mm
D 500mm
H 1170mm
H (plinth) 150mm



designed + made in new zealand