

# HENGE<sup>®</sup>

## *Product Sheet*

### *Model*

#### **POKE TABLE**

**STRUCTURE** Bent sheet, thickness 8 cm. **TOP** Top in bent sheet, thickness 0,3 cm **FINISH** Steel hand-burnished black using traditional techniques.

---

## *Scheda Prodotto*

### *Modello*

#### **POKE TABLE**

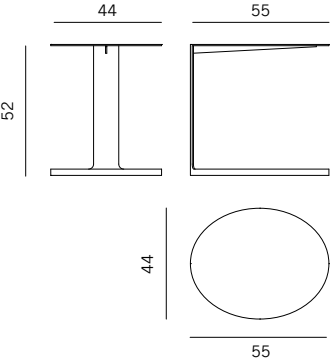
**STRUTTURA** Lamiera sp. 8 cm piegata **PIANO** Piano in lamiera sp. 0,3 cm **FINITURA** Acciaio brunito nero a mano secondo le tecniche tradizionali.

# POKE TABLE

*Design* Massimo Castagna

---

Poke Table . Tavolo 55 x 44 x 52H



DIMENSIONS  
55 cm x 44 cm x 52 cm

DIMENSIONI  
55 cm x 44 cm x 52 cm