

dauidshaw

www.davidshaw.co.nz

rossetti



pictured as 3.0 seater with Leg 43

rossetti

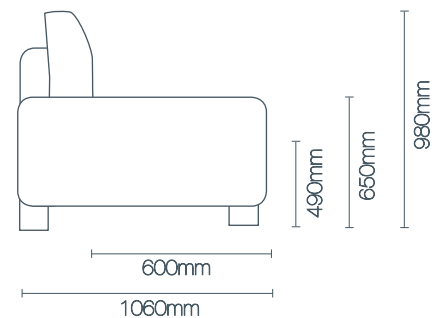
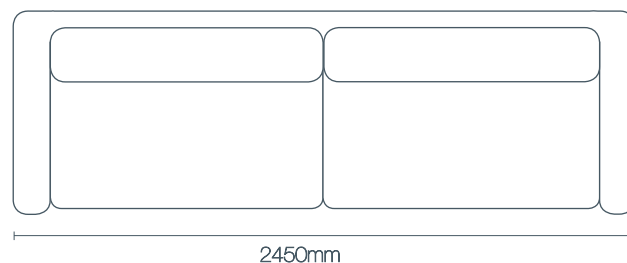
Rossetti is a David Shaw Classic contemporary design, with its simple timeless lines to fit any situation. The high back cushion offers the luxury of comfort. Choose your seat cushions according to your own requirements. (Comes standard with feather wrap seat cushion). Available as a modular or settee

measurements

Chair	L 1240mm
2.5 seater	L 2150mm
3.0 seater	L 2450mm
	D 1060mm
	D (seat) 600mm
	H (back) 980mm
	H (arm) 650mm
	H (seat) 490mm

dimensions:

Leg information:
Leg Options: 59
Height: 90mm H
Or
Leg Options: 43
Height: 60mm H
Leg Colour: Wenge



designed + made in new zealand