



# BOWIE CHAIR

DESIGNED + MADE IN NEW ZEALAND

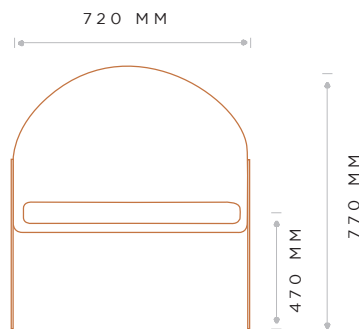
## BOWIE

Bowie is a modern contemporary design, bringing in the raw architectural steel base it creates a depth and gives it a modern twist

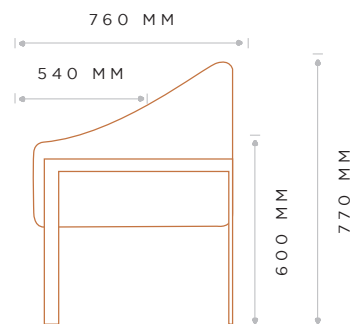
Bowie looks like a piece of art from every angle. A steel spine at the back to create a wow factor when walking into

### MEASUREMENTS

#### FRONT



#### SIDE



DESIGNED + MADE IN NEW ZEALAND

## DIMENSIONS

---

LENGTH	DEPTH (FRAME)	HEIGHT (BACK)	DEPTH (SEAT)	HEIGHT (SEAT)	HEIGHT (ARM)
720 MM	760 MM	770 MM	540 MM	470 MM	600 MM

---

LEG INFORMATION:

LEG COLOUR/FRAME: Base Black Steel

---

## FABRIC

---

2.7M PLAIN

3.1M PATTERN

2.8M RAILROAD

4.8SQM LEATHER

---



## MAINTENANCE

---

Made to last, our frames are covered by a 10 year manufacturing warranty

## CARE

---

Heavy duty fabric  
Do not bleach fabric  
Do not tumble dry

[INFO@DAVIDSHAW.CO.NZ](mailto:INFO@DAVIDSHAW.CO.NZ)

0800 847 848

[WWW.DAVIDSHAW.CO.NZ](http://WWW.DAVIDSHAW.CO.NZ)