

SONNY SWIVEL CHAIR

DESIGNED + MADE IN NEW ZEALAND

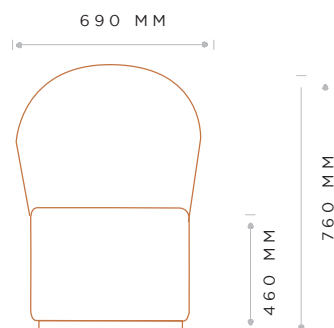
SONNY

There are many good reasons to buy a swivel chair – in particular, the ease of movement.

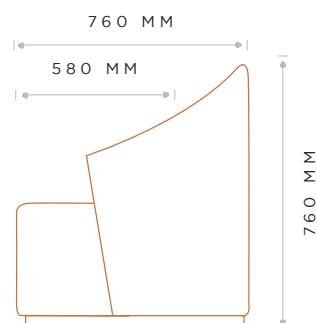
The Sonny Swivel Chair features a self-correcting swivel base, it can easily pivot to face a spectacular view or multiple area in the home. In a difficult space a swivel can be a very pragmatic choice. Our Sonny Swivel Chair is dressed in vintage white Alpaca Velvet to add interest to any space.

MEASUREMENTS

FRONT



SIDE



DESIGNED + MADE IN NEW ZEALAND

DIMENSIONS

LENGTH	DEPTH (FRAME)	HEIGHT (BACK)	DEPTH (SEAT)	HEIGHT (SEAT)	HEIGHT (ARM)
690 MM	760 MM	760 MM	580 MM	460 MM	650 MM

LEG INFORMATION: Swivel base

LEG COLOUR/FRAME: 40mm Leg Height - Black

FABRIC

2.9M PLAIN

3.5M PATTERN

2.7M RAILROAD

5.5SQM LEATHER



MAINTENANCE

Made to last, our frames are covered by a 10 year manufacturing warranty

CARE

Heavy duty fabric
Do not bleach fabric
Do not tumble dry

INFO@DAVIDSHAW.CO.NZ

0800 847 848

WWW.DAVIDSHAW.CO.NZ