



ATLAS CHAIR

DESIGNED + MADE IN NEW ZEALAND

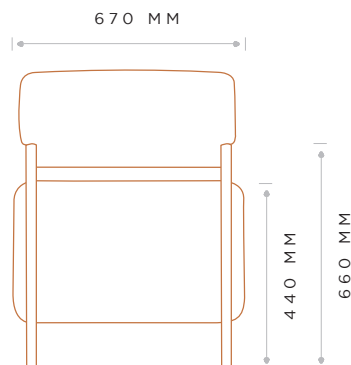
ATLAS

A style well-loved by the design team. Atlas is a charming character with a distinctive curved American Ash timber arm that profiles perfectly – the seat is deep for luxuriating in.

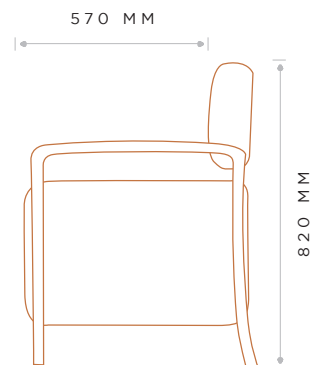
This timeless style is better suited to a thicker textured fabric to give an overall appearance of sophistication.

MEASUREMENTS

FRONT



SIDE



DESIGNED + MADE IN NEW ZEALAND

DIMENSIONS

LENGTH	DEPTH	DEPTH(SEAT)	HEIGHT (BACK)	HEIGHT (ARM)	HEIGHT (SEAT)
670 MM	700 MM	570 MM	820 MM	660 MM	440 MM

LEG INFORMATION: Standard leg height 650

LEG COLOUR/FRAME: Frame American Ash, Colour Acorn

FABRIC

1.5M PLAIN
1.8M PATTERN
1.5 RAILROAD
2.8SQM LEATHER



MAINTENANCE

Made to last, our frames are covered by a 10 year manufacturing warranty

CARE

Heavy duty fabric
Do not bleach fabric
Do not tumble dry
Iron reverse side

INFO@DAVIDSHAW.CO.NZ

0800 847 848

WWW.DAVIDSHAW.CO.NZ