



# CUB TABLES

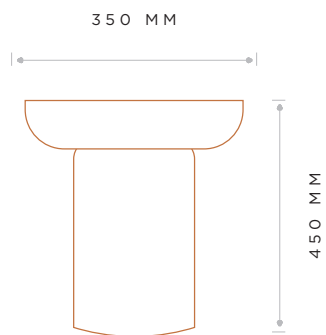
DESIGNED + MADE IN NEW ZEALAND

CUB

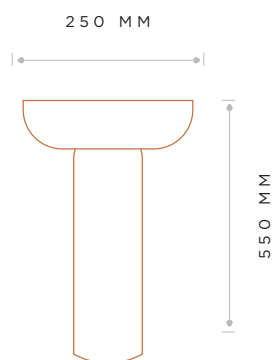
Cub Table soft curves nest beautifully around from every angle, each table is unique hand-turned. The timber has been sensitively textured and finished to feel alive and tactile.

## MEASUREMENTS

350 CUB



250 CUB



DESIGNED + MADE IN NEW ZEALAND

## OPTIONS

---

NAME	DIAMETER	HEIGHT
350 CUB	350MM	450MM
250 CUB	250MM	550MM
FINISH: OUTDOOR TIMBER GREY BLACK STAIN		

---



## MAINTENANCE

---

Any outdoor timber we recommend re-staining every 18-24 months.  
Remove of excess water after heavy rainfall.

## CARE

---

Wipe up stains with  
damp cloth