

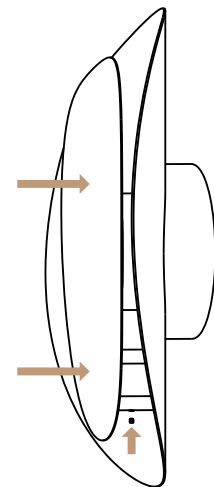
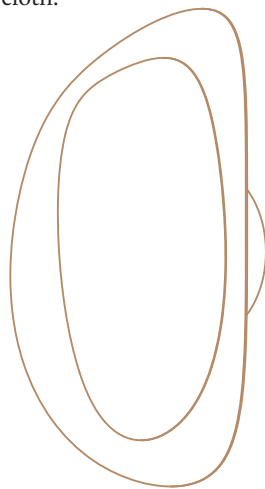
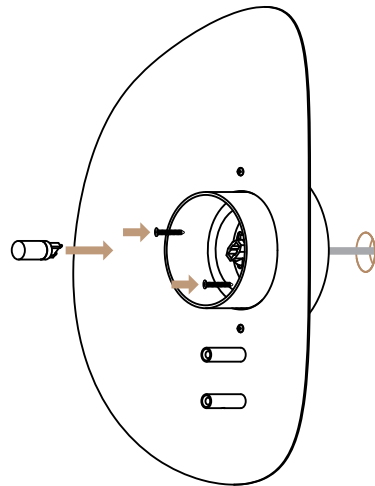
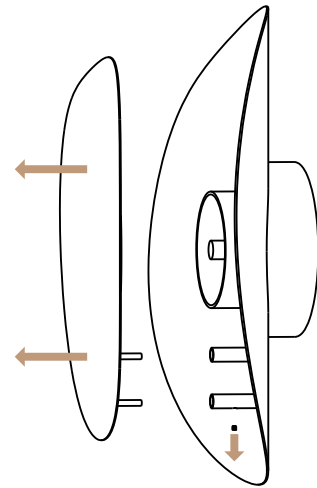


DANGER electric shock risk. Installation must be conducted by a licensed electrician.

DUET HALO WALL LIGHT

 Ensure gloves are worn when handling natural brass products.

- 1: Remove all items from box.
- 2: Drill hole in the wall, in the centre of the fitting.
- 3: Using a HEX key, loosen the M4 grub screw from the bottom tube and carefully remove the front brass panel from the assembly.
- 4: (Optional) If installing to plaster board pre-drill and install white wall plugs into wall.
- 5: Connect mains supply to wires on the light fitting. Ensure to connect earth to the earth terminal inside the fitting.
- 6: Affix the light fitting to the wall by passing through the centre of the fitting and fixing timber screws in the wall plate. (remove the LED globe if needed for this step).
- 7: Ensure G9 LED globe is placed in lamp holder.
- 8: Place the front brass panel onto the fitting via the two pins towards the bottom of the fitting. Firmly press the panel in the centre and secure the M4 grub screw using a HEX key.
- 9: When replacing the LED globe simply remove the front brass panel by loosening the M4 grub screw and pulling out the old globe. Replace the globe with an appropriate G9 LED that fits within the size requirements. Repeat step 8 to put fitting back together.
- 10: Wipe down fitting with clean dry cloth.
- 11: Test fitting.



DAVID SHAW × Nightworks®