

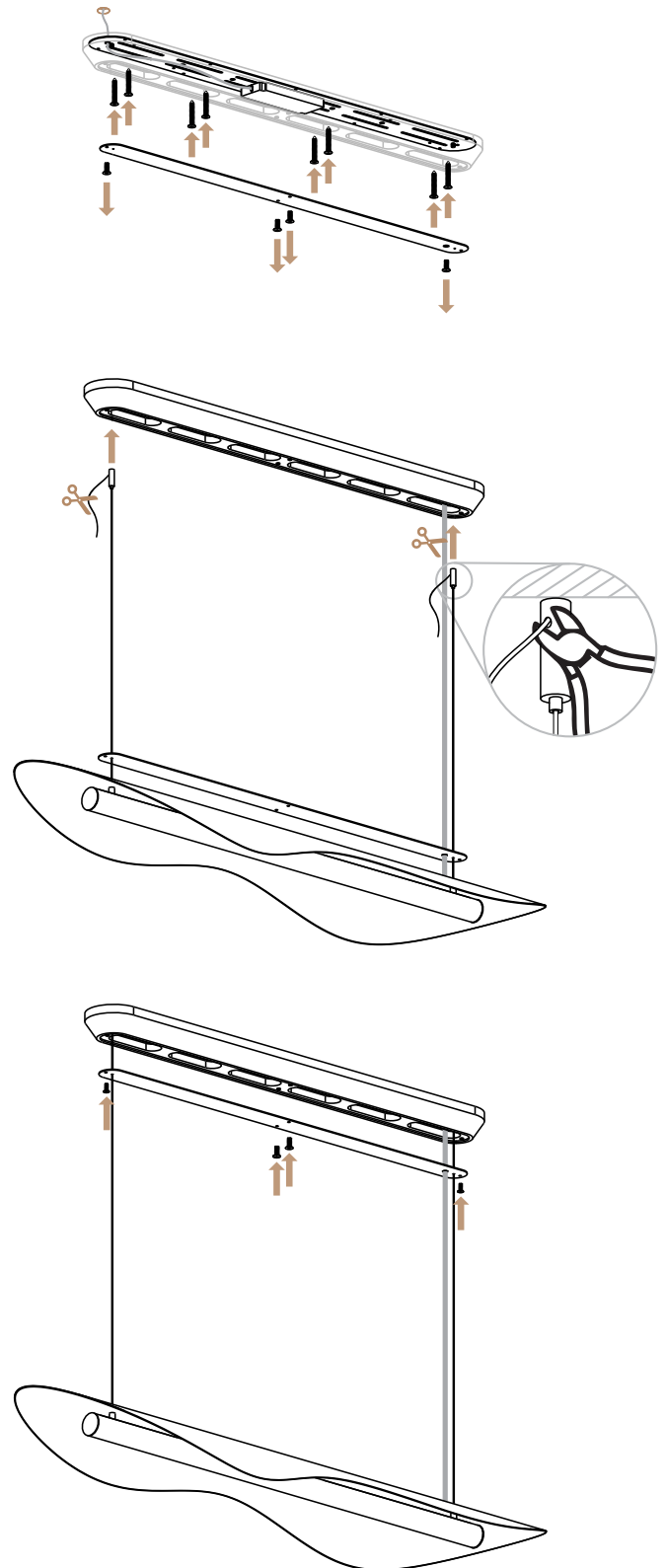
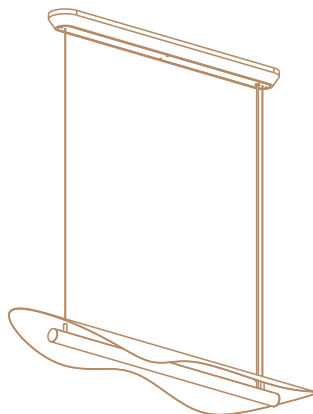
## DUET LARGE PENDANT

 *Ensure gloves are worn when handling natural brass products.*

- 1: Remove all items from box. Uncoil and straighten suspension cables and power cord.
- 2: Using a flat head screw driver, remove all four of the M4 screws from the canopy cover plate and thread the plate onto the suspension cables and power cable on the light fitting.
- 3: (Optional) Pre-drill and insert drywall anchors as required.
- 4: Install canopy to ceiling using timber screws.
- 5: Connect mains supply to driver. Ensure to connect earth to the earth terminal located on the ceiling bracket.
- 6: Trim suspension cables to preferred length as shown. Ensure that the grip is secure. Proceed to trim power cable with adequate room for wiring to the driver.
- 7: Secure suspension cables by threading the suspension pieces onto the threads mounted inside the canopy.
8. Connect LED power cord to driver.

NOTE: The power cord should not hold any weight of the pendant. It should be pulled so it is straight with no tension.

- 9: Secure cover plate on the canopy.
- 10: Wipe down fitting with clean dry cloth.
- 11: Test fitting.



**DAVID SHAW** × Nightworks®