



THE JETT OUTDOOR CHAIR

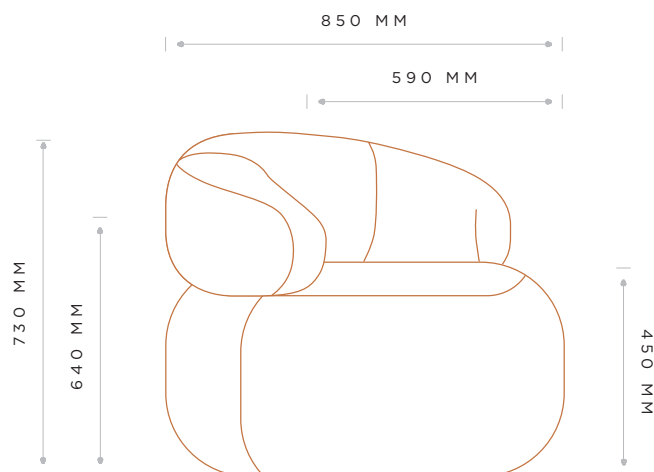
DESIGNED + MADE IN NEW ZEALAND

JETT

Soft, sculptural, and inviting this chair brings indoor comfort outdoors.

With its rounded silhouette and generous proportions, it's designed for relaxed poolside lounging or terrace gatherings. Upholstered in performance outdoor fabric with quick-dry cushioning, it combines durability with a luxurious feel, ensuring year-round enjoyment in any setting.

MEASUREMENTS



DESIGNED + MADE IN NEW ZEALAND

DIMENSIONS

LENGTH	DEPTH	HEIGHT (BACK)	HEIGHT (ARM)	DEPTH (SEAT)	HEIGHT (SEAT)
850 MM	880 MM	730 MM	640 MM	590 MM	450 MM



FABRIC

PLAIN	3.4 M
PATTERN	4.0 M
RAILROAD	3.0 M

MAINTENANCE

Made to last, our frames are covered by a 10 year manufacturing warranty.

CARE

Check fabric maintenance for each fabric.

[INFO@DAUIDSHAW.CO.NZ](mailto:info@dauidshaw.co.nz)

0800 847 848

[WWW.DAUIDSHAW.CO.NZ](http://www.dauidshaw.co.nz)

DAUIDSHAW.CO.NZ

dauidshaw